

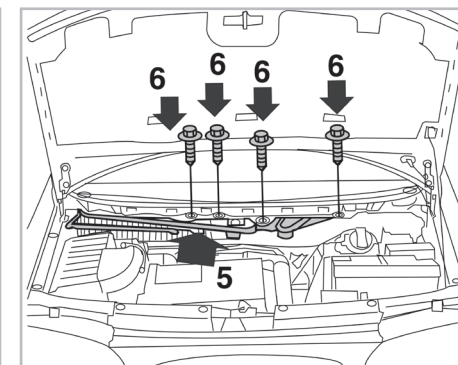
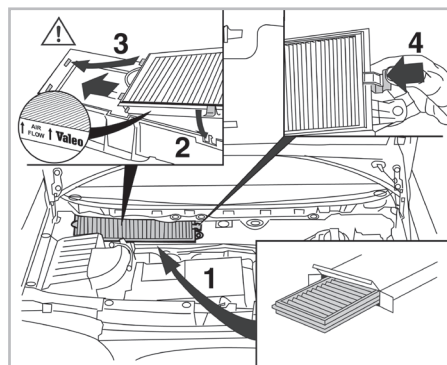
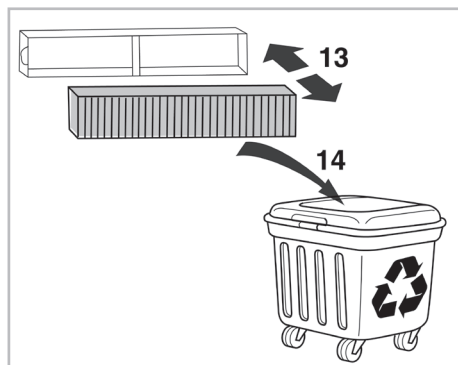
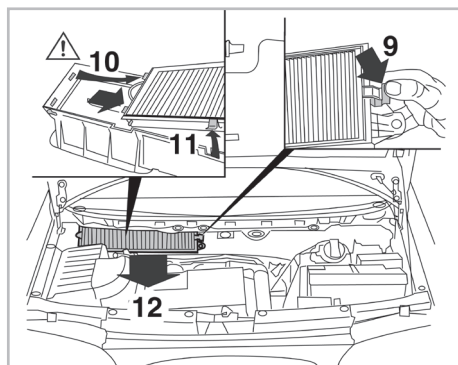
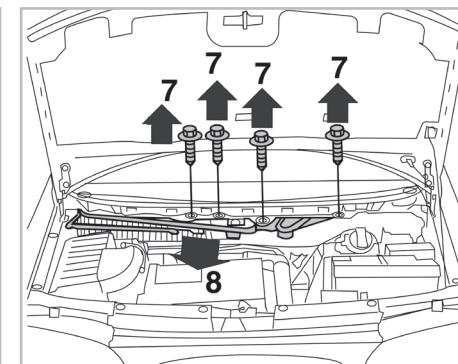
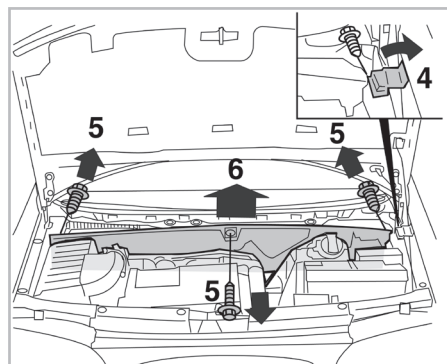
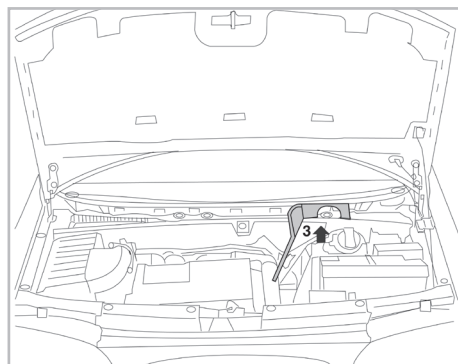
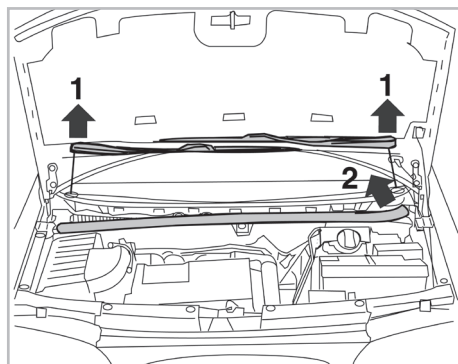


PROTECT

combined with active carbon



FOR
FORD GALAXY A/C+/- (05/95 >)
SEAT ALHAMBRA I A/C+/- (03/96 >)
VOLKSWAGEN SHARAN A/C+/- (08/95 >)



698696

FH505



CA

WANT TO KNOW MORE?



www.valeo-techassist.com

Valeo Service - Société par Actions simplifiée - Capital de 12 900 000 € - 70, rue Playel, 93285 Saint-Denis Cedex - France - B 306 486 408 RCS Bobigny